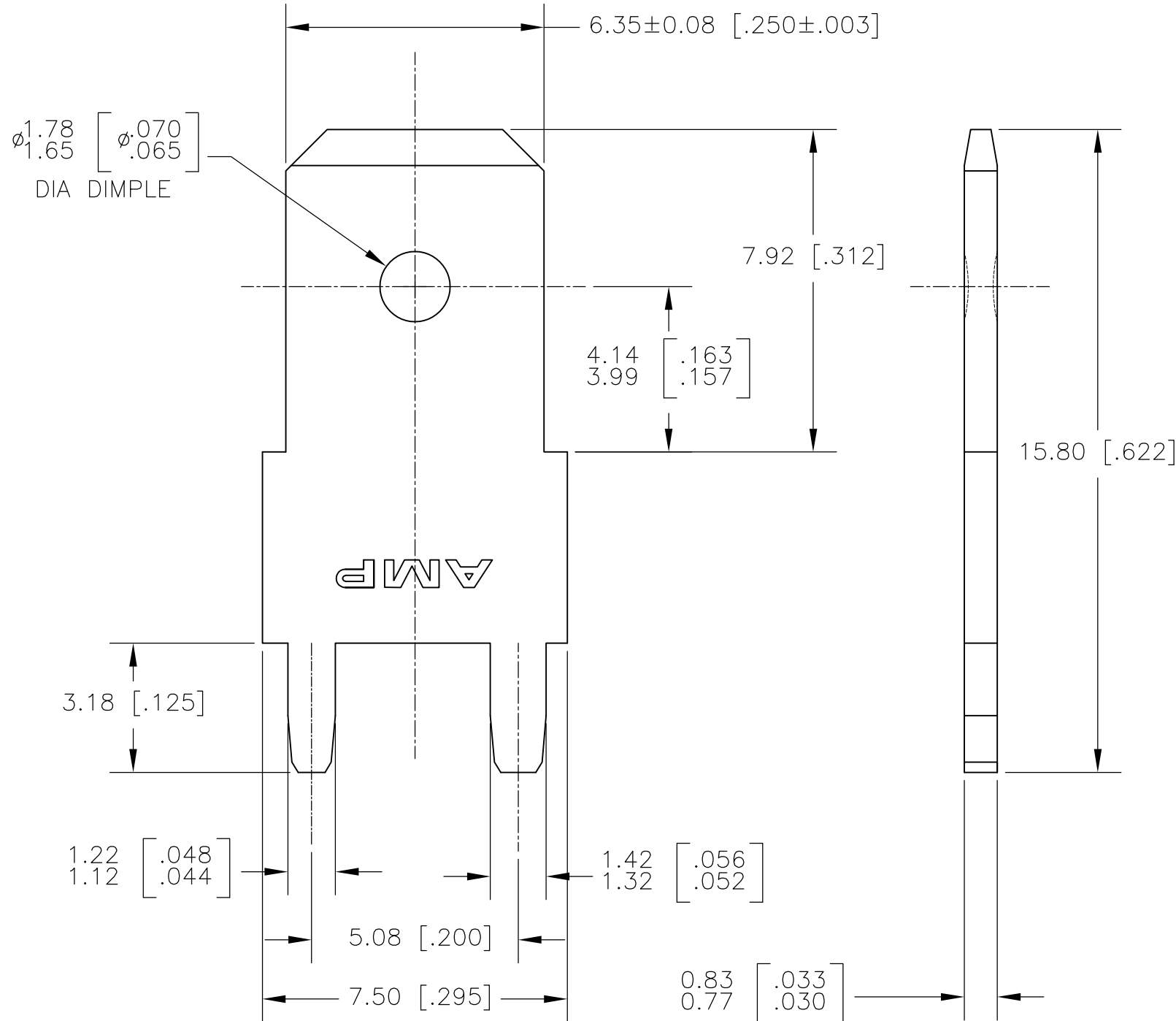


THIS DRAWING IS UNPUBLISHED. RELEASED FOR PUBLICATION
 © COPYRIGHT - By - ALL RIGHTS RESERVED.

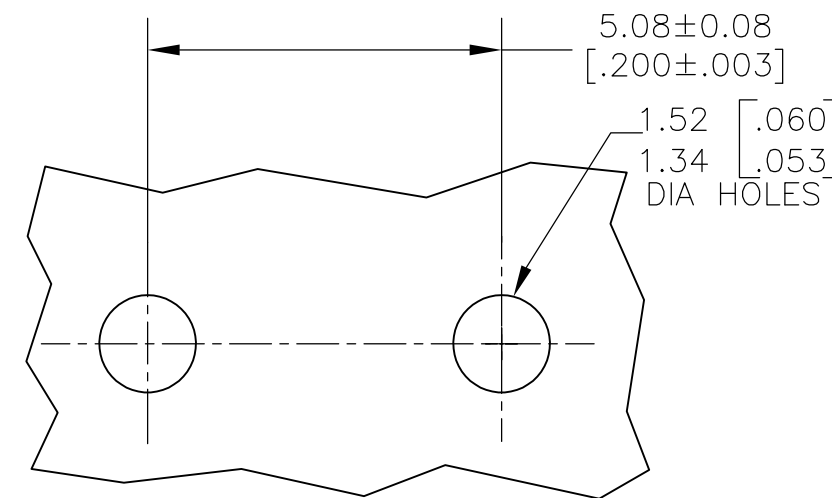
LOC	DIST	REVISIONS			
P	LTR	DESCRIPTION	DATE	DWN	APVD
AF	50	S	REVISED PER ECR-13-001204	19JUN13	KH PD

D

D



- 1 SUPPLIED IN LOOSE PIECE.
- △2 0.00381 [.000150] MIN TIN OVER
0.00254 [.000100] MIN THK COPPER.
- △3 0.00381 [.000150] MIN SILVER OVER
0.00254 [.000100] MIN THK COPPER.
- △4 SPECIAL PACKAGING QUANTITY
- △5 PRELIMINARY - NOT FOR PRODUCTION
- △6 0.00038 [.000015] MIN GOLD OVER
0.00127 [.000050] MIN NICKEL.



P.C. BOARD HOLES
SCALE 10:1

C

C

B

B

FINISH	PART NUMBER
△2	9-62409-1 △5
△6	62409-4 △5
△3	62409-3
△2	62409-1

A

A

THIS DRAWING IS A CONTROLLED DOCUMENT.		DWN JR RUTH 30NOV00	STE TE Connectivity													
DIMENSIONS: mm(INCHES)		CHK MS FEHER 30NOV00														
TOLERANCES UNLESS OTHERWISE SPECIFIED:		APVD G PORTA 30NOV00	NAME													
<table border="0"> <tr><td>0 PLC</td><td>± -</td></tr> <tr><td>1 PLC</td><td>± -</td></tr> <tr><td>2 PLC</td><td>± 0.38 [.015]</td></tr> <tr><td>3 PLC</td><td>± -</td></tr> <tr><td>4 PLC</td><td>± -</td></tr> <tr><td>ANGLES</td><td>± -</td></tr> </table>		0 PLC	± -	1 PLC	± -	2 PLC	± 0.38 [.015]	3 PLC	± -	4 PLC	± -	ANGLES	± -	PRODUCT SPEC	TAB, FASTON, PC BOARD, 6.35 [.250] SERIES	
0 PLC	± -															
1 PLC	± -															
2 PLC	± 0.38 [.015]															
3 PLC	± -															
4 PLC	± -															
ANGLES	± -															
MATERIAL BRASS	FINISH SEE TABLE	APPLICATION SPEC	SIZE A3	CAGE CODE 00779												
		WEIGHT -	DRAWING NO C-62409	RESTRICTED TO -												
CUSTOMER DRAWING			SCALE 8:1	SHEET 1 of 1												
			REV S													